

DESCRIPTION:

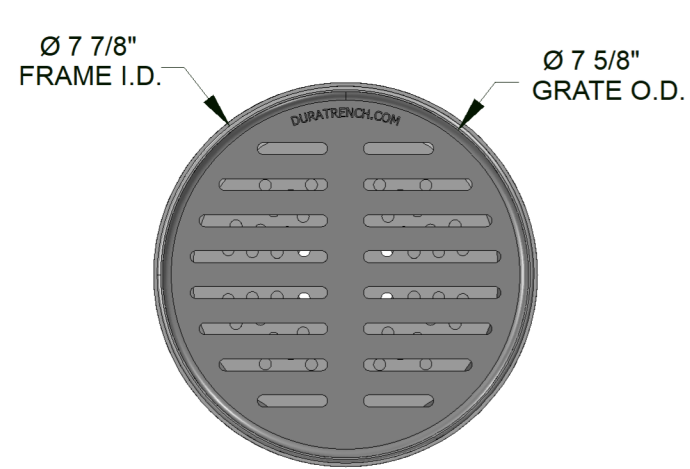
MD FLOOR DRAIN

SELECT TOP COVER/GRATE TYPE:

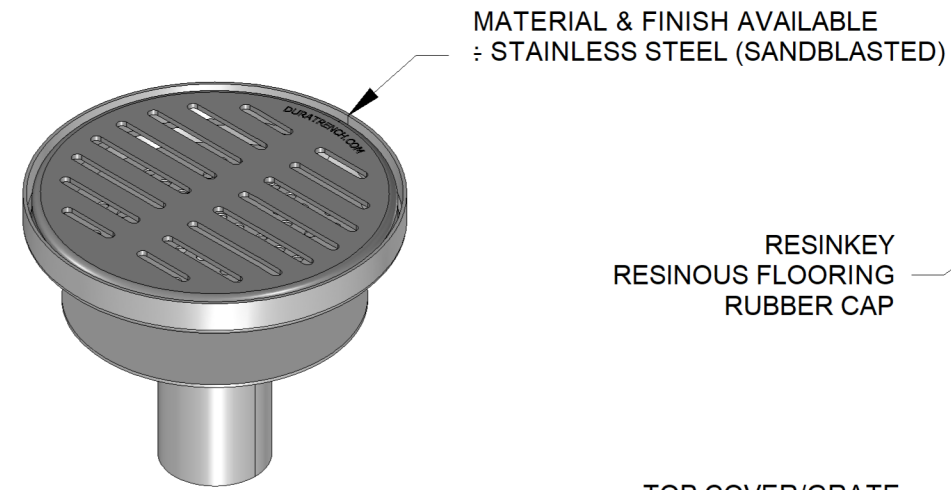
- LINEAR SLOTTED PATTERN
- RADIAL SLOTTED PATTERN
- PERFORATED PATTERN
- SOLID COVER

SELECT WELDED PIPE STUB SIZE (SCH10):

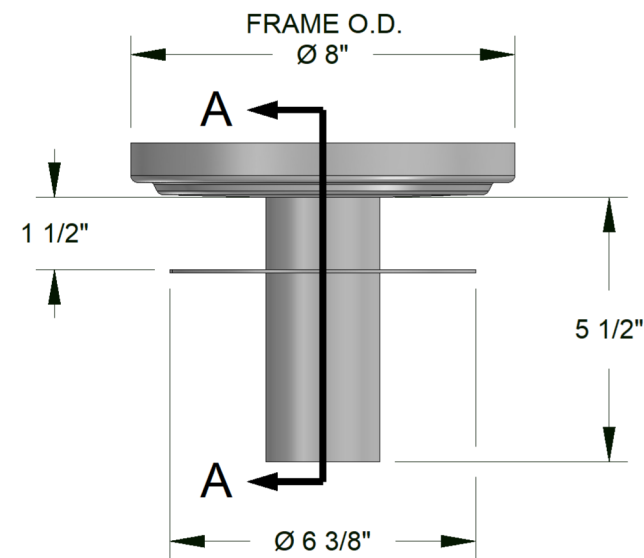
- 2"
- 3"
- 4"
- 6"



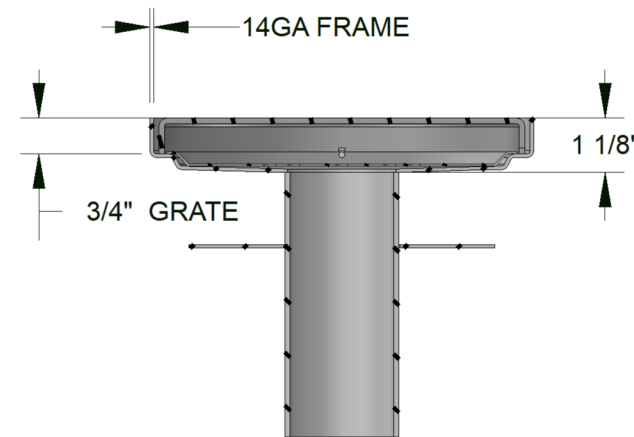
MD FLOOR DRAIN ASSEMBLY TOP VIEW



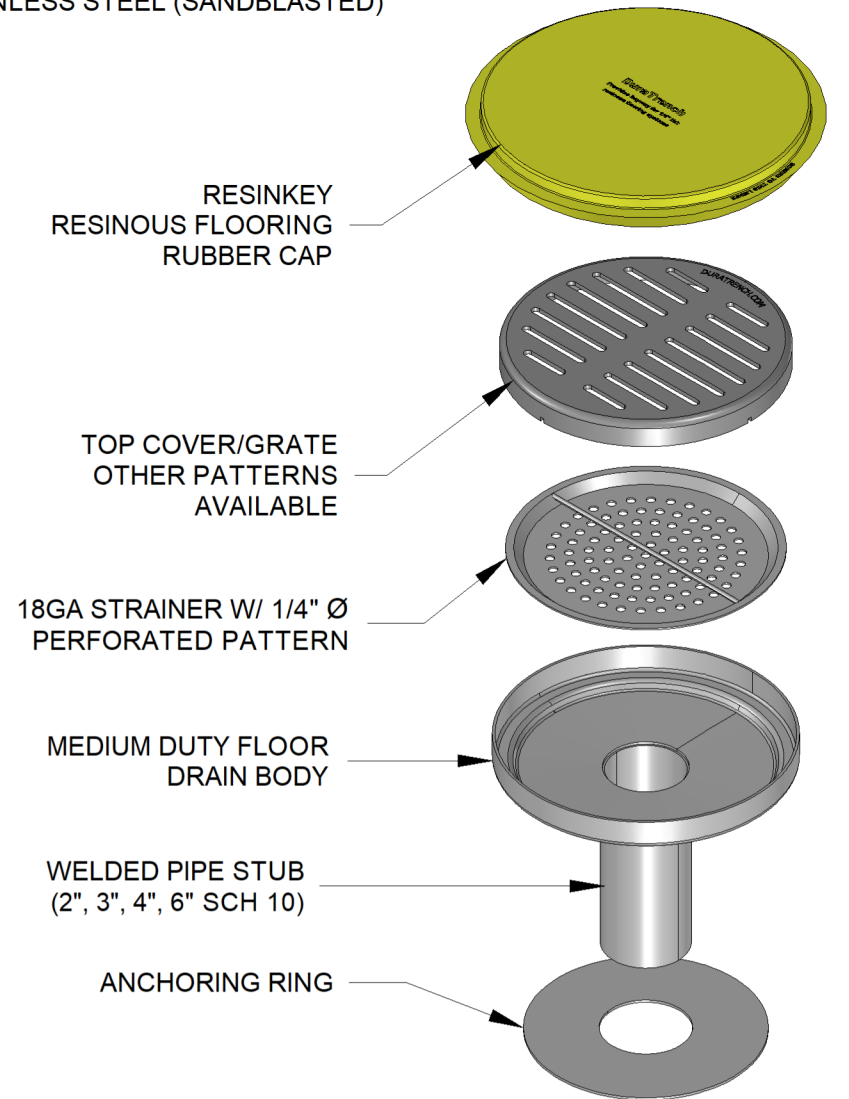
MD FLOOR DRAIN ASSEMBLY ISOMETRIC VIEW



MD FLOOR DRAIN ASSEMBLY SIDE VIEW



MD FLOOR DRAIN ASSEMBLY SECTION A-A



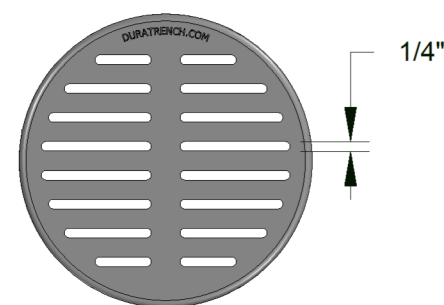
MD FLOOR DRAIN ASSEMBLY EXPLODED ISOMETRIC VIEW

PRODUCT DATA

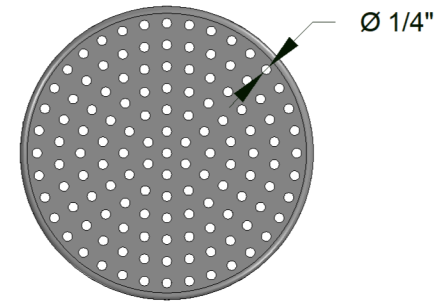
MATERIAL:	T304 STAINLESS STEEL
FINISH:	SANDBLASTED
LOAD RATINGS	
ASME:	MEDIUM DUTY
PHONE: 770-505-6575	MODEL BY: KM
296 INDUSTRIAL BLVD. N. DALLAS, GA 30132	DRAWING BY: KM
	REVIEWED BY: LRC
210 WEST 33RD ST. OGDEN, UT 84401	DATE: 04/26/2024
13300 RAMBLEWOOD DR. CHESTER, VA 23836	SCALE: NTS
	REV #: IC-0

WWW.DURATRENCH.COM

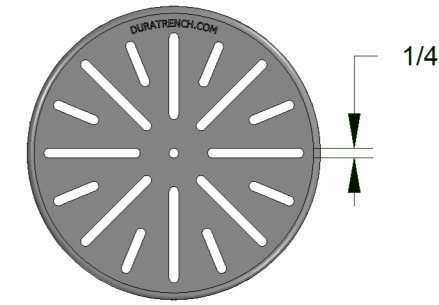
TOP COVER/GRATE OPTIONS



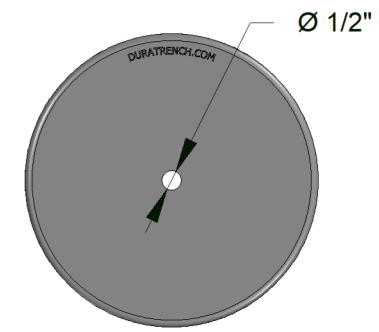
LINEAR SLOTTED PATTERN



PERFORATED PATTERN



RADIAL SLOTTED PATTERN



SOLID COVER

TOLERANCES

X = ±0.1

.XX = ±0.04

.XXX = ±0.004

FRACTIONAL = ± 1/16"

ANGULAR = ± 0.5°