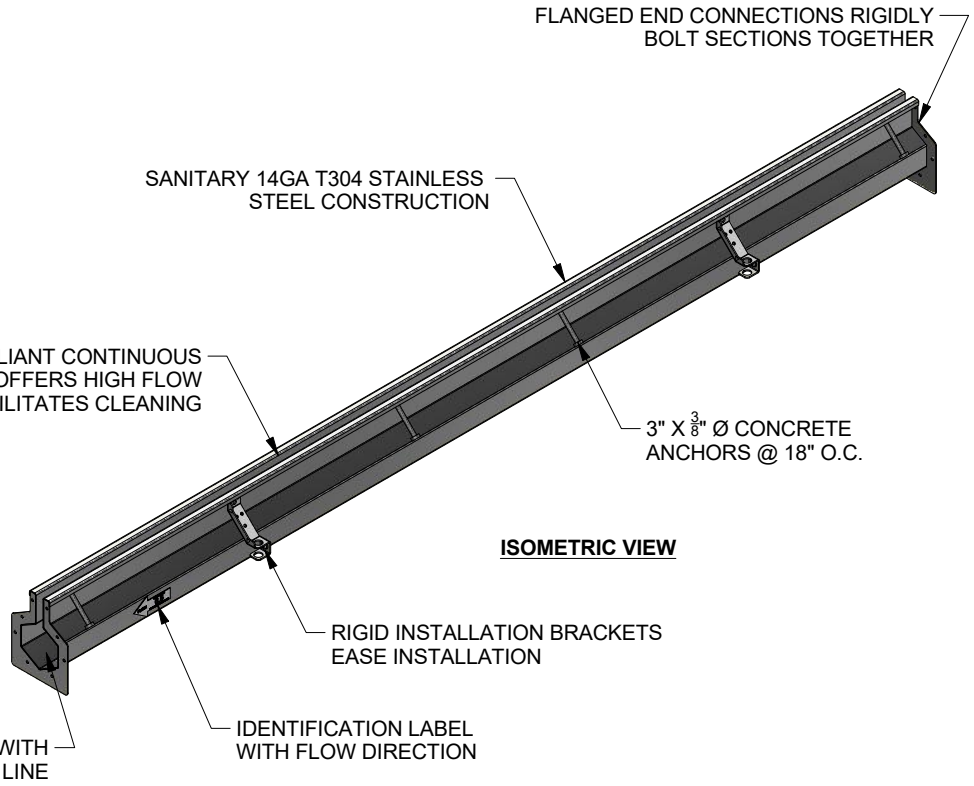
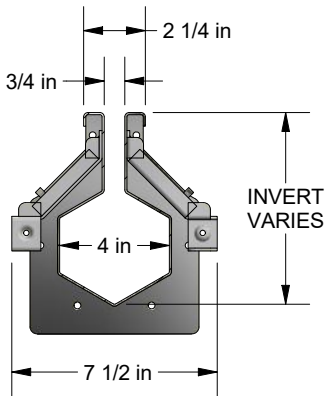


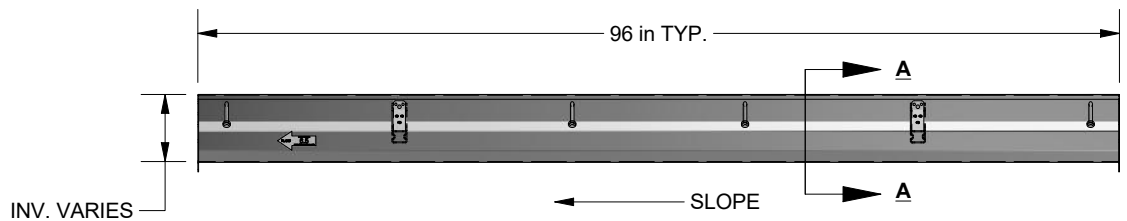
TOP VIEW



ISOMETRIC VIEW



SECTION A-A



SIDE VIEW

NOTE:
ALL SLOT DRAINS ARE FACTORY ASSEMBLED AND READY FOR SITE INSTALLATION

TRENCH MATERIAL	T304 STAINLESS STEEL
FRAME MATERIAL	T304 STAINLESS STEEL
FRAME COATING	NONE
ANCHOR STUDS	3" X 3/8" Ø
INSTALL DEVICE	RIGID STAMPED METAL FOR #4 BARS
LOAD RATING	HEAVY DUTY
SLOPE	0.5% TYP (CUSTOM SLOPE AVAILABLE)

STANDARD TOLERANCES
 0 = +/-0.25
 0.0 = +/-0.25
 0.00 = +/- 0.13



574c Industrial Way N.
 Dallas, GA 30132
 PH: 770-505-6575
 www.trenchdrain.net