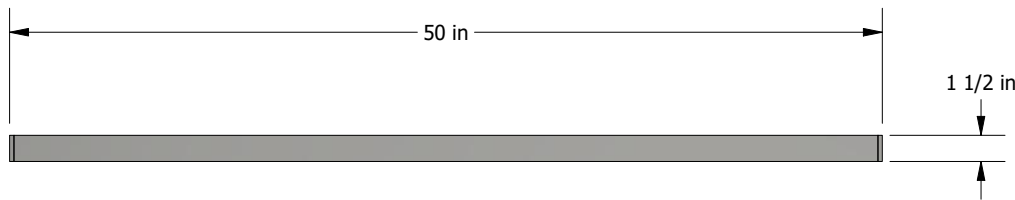
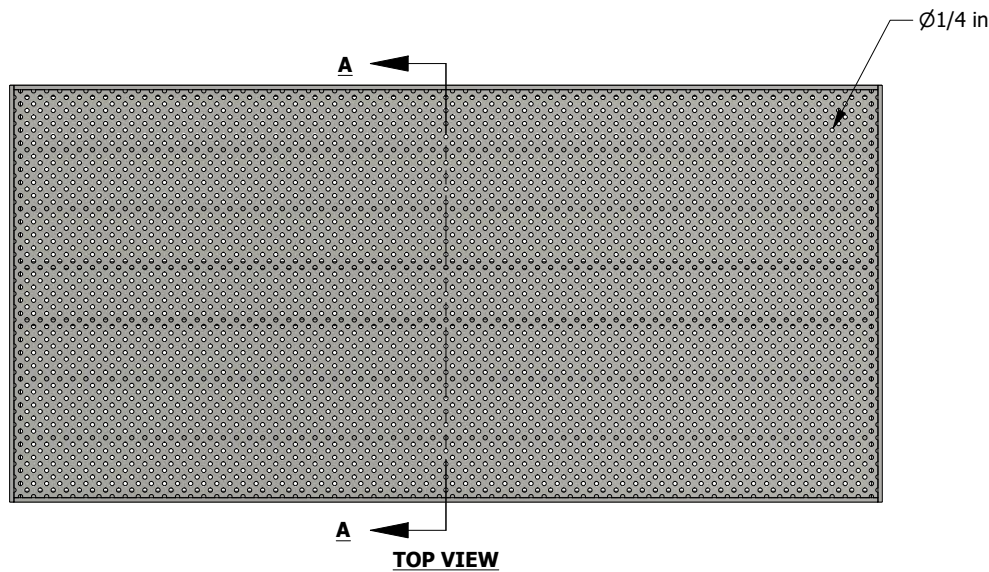


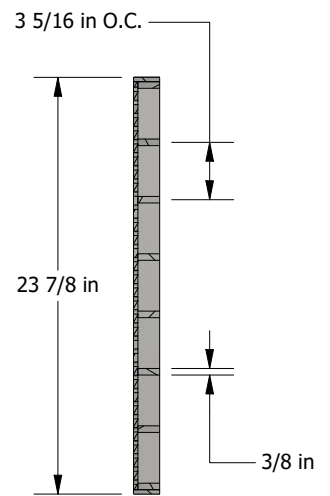
ISOMETRIC VIEW



SIDE VIEW



TOP VIEW



SECTION A-A

MATERIAL	STEEL PER ASTM A36	STANDARD TOLERANCES 0 = +/-0.25 0.0 = +/-0.25 0.00 = +/- 0.13
COATING	GALVANIZED	
LOCKING	NONE	DRAWN BY: LRC
LOAD RATING	DIN CLASS A	
ADA / HEEL GUARD	YES	



574c Industrial Way N.
Dallas, GA 30132
PH: 770-505-6575
www.trenchdrain.net